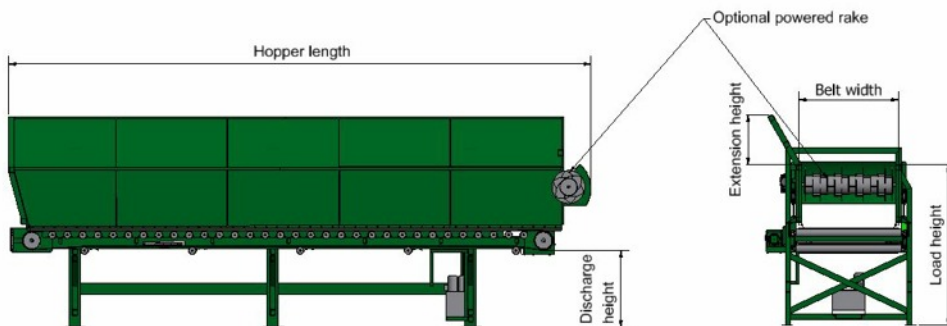


## Bulk Hoppers

Firstgrade recognise that the key to efficient waste processing is to have a uniform feed rate. To achieve this with minimal labour and machinery, Firstgrade have designed a range of large feed hoppers, with a number of options to give a uniform, and controlled flow of material. Firstgrade's hoppers can be built to the size and capacity you require.



STANDARD SPECIFICATIONS							
Model	Belt width (mm)	Hopper length (mm)	Capacity (m <sup>3</sup> )	Loading height (mm)	Discharge height (mm)	Extension height (mm)	Typical feed rate (m <sup>3</sup> /hr)
180-60	1800	8000	25	1800	1800		50 to 200
120-90	1200	9000	16	2750	1500	850	30 to 160
120-60	1200	6000	10	2750	1500	850	30 to 160
90-60	900	6000	8.5	2250	1000	600	15 to 70
90-40	900	4000	5.5	2250	1000	600	15 to 75
50-60	500	6000	4.5	1950	760		10 to 50
50-33	500	3300	2.5	1950	760		10 to 50

### Features

- Volumes from 3 to 20m<sup>3</sup>
- Flow rates from 2 to 200m<sup>3</sup>/hr
- Variable speed drive
- Robust build

### Options

- Inverter control
- Powered rake
- Floating feed drum
- Automatic flow control

### Applications

- Mixed waste
- Compost
- Aggregates
- Wood

### Design, build and install

At Firstgrade we aim to produce the best solution for your requirements.

All of our machinery is designed and manufactured in the UK. This gives us the flexibility to design individual systems to suit your specific requirements.

### Other products

- Trommel Screens
- Vibrating Screens
- Picking Stations
- Fines Refiner
- Air Separation
- Water separation
- Magnetic separation
- Elevators
- Conveyors

### Firstgrade Recycling Systems Ltd

Unit 2, Crossways

Cockfield

Bury St Edmunds

Suffolk IP30 0LN

England

01284 828040

sales@first-grade.co.uk

www.first-grade.co.uk

LinkedIn YouTube

